



ADJUSTABLE HOOD Installation Instructions For Wood Burning Fireplaces

AH1924 - Adjusts in Length from 19" to 24"
AH2231 - Adjusts in Length from 22" to 31"
AH3143- Adjusts in Length from 31" to 43"

▲ WARNING: STOP: Before installation of this product your chimney must be cleaned by a professional chimney sweep.

The PureFire Catalytic Hood can be installed in a wood burning masonry fireplace or a factory built zero clearance fireplace. The PureFire Catalytic Hood can easily be installed in less than an hour. Four mounting screws will hold the two mounting brackets in place. Included with the hood are two sets of mounting brackets (for masonry fireplace or factory-built fireplace). The PureFire Catalytic Hood has a trapezoidal shape to fit the angular sides of the firebox. The hood is equipped with adjustable extensions that slide in and out. The PureFire Catalytic Hood should be installed after the fireplace is completely finished. It is designed to be installed as an add-on device. It is mounted on two brackets that are mechanically attached to the side walls of the firebox. Insure that the firebox is structurally sound before beginning the installation.

For Masonry fireplace application, the retainer brackets are attached to the firebrick on the side walls (see Figure 1). For factory-built fireplace application, the retaining bracket rest or is above the top edge of firebrick (see Figure 2).

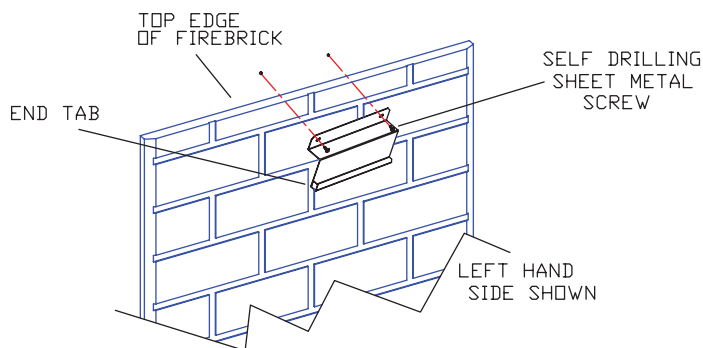


Figure 2 - Factory Built Fireplaces

The height of the bracket installation is determined by the fireplace opening. The brackets should be installed so they are even or above the height of the fireplace opening (lintel) or the smoke shelf. The brackets can be used to identify the location of the mounting screw holes. A black felt tip should be used to identify the location for drilling. Two holes will need to be drilled on each side of the firebox. For masonry application, the brackets are attached using masonry screws (provided). For factory-built fireplace application, brackets are attached using self-drilling sheet metal screws (provided). Make sure that the brackets are installed as shown. The bracket end tab should be facing the front of the firebox. The end tab will prevent the hood from moving. After the brackets are installed, the hood should be adjusted to the correct dimension to properly fit into the brackets. Measure the distance between the installed brackets on both front and back. Move the adjustable extensions on the hood until the front and back on the hood extensions equal the dimensions of the mounting brackets. Tighten the retention screws on each side of the hood.

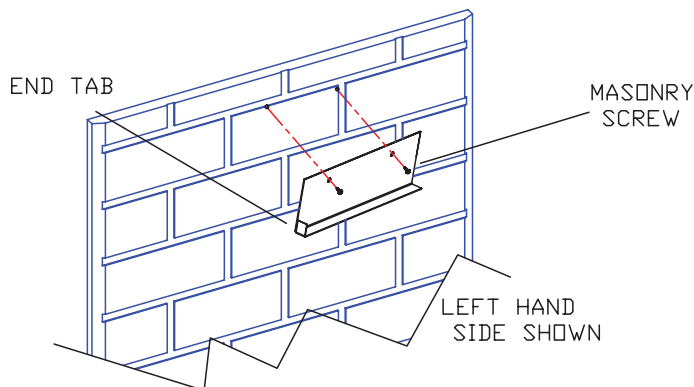


Figure 1 - Masonry Fireplaces

The PureFire Catalytic Hood can now be installed in the firebox. Position the hood in the brackets so that it is securely in place. The PureFire Catalytic Hood should be located against the back wall of the firebox directly above the grate (see Figure 3). Minimum Distance between the leading edge of the smoke shelf and the hood is 6" (see Figure 4). The damper Handle (if required) should pass between the combustor blocks and remain operational. Chain operated units will have the chain in front of the hood.

The HearthCAT™ emission control system is now ready for use.

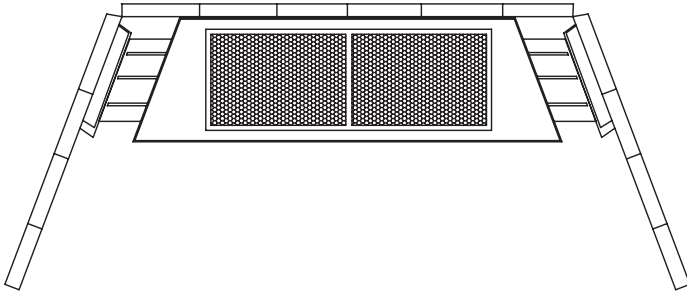


Figure 3 - PureFire Catalytic Hood Installed (Top View)

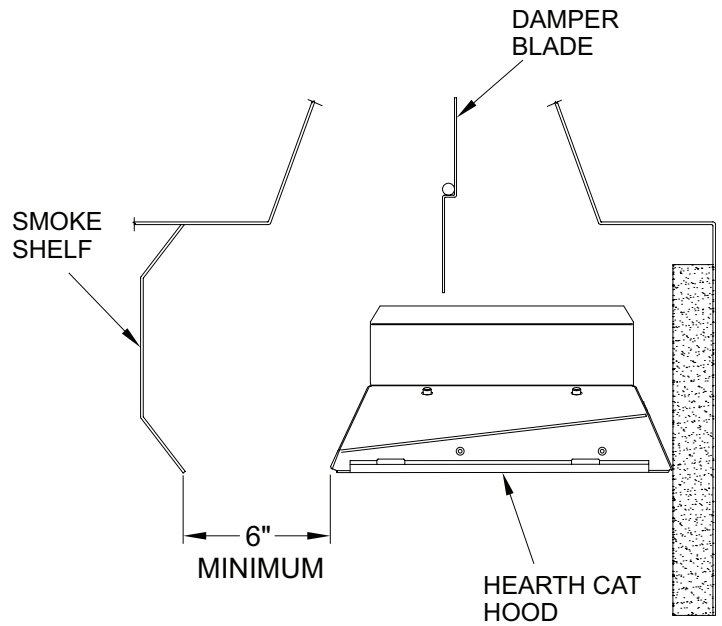


Figure 4 - PureFire Catalytic Hood Installed (Side View)